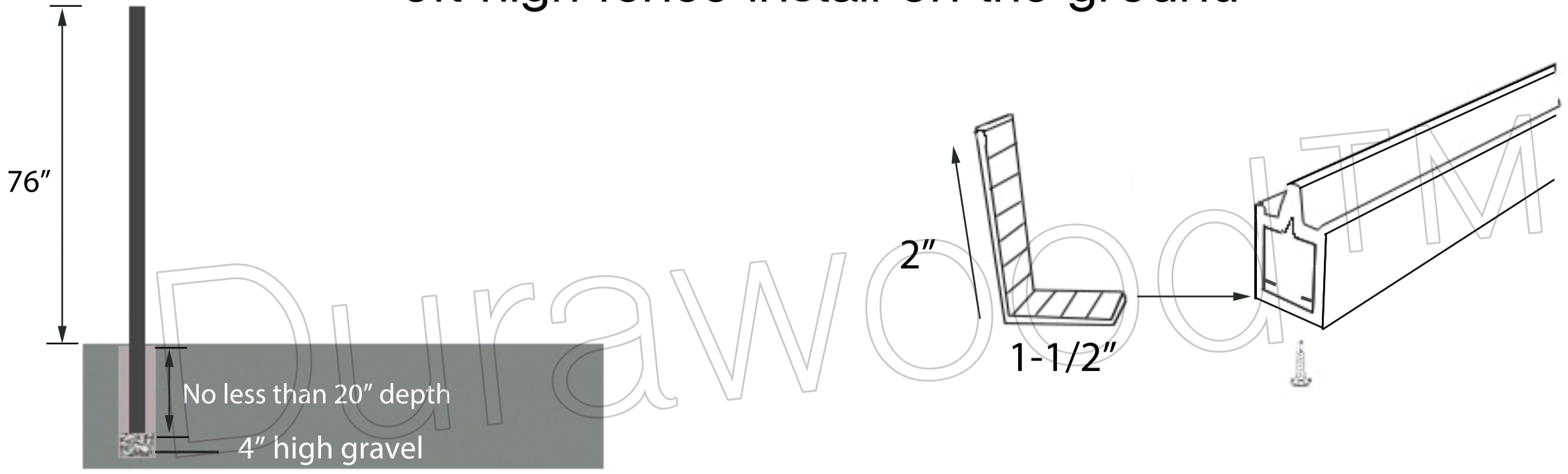


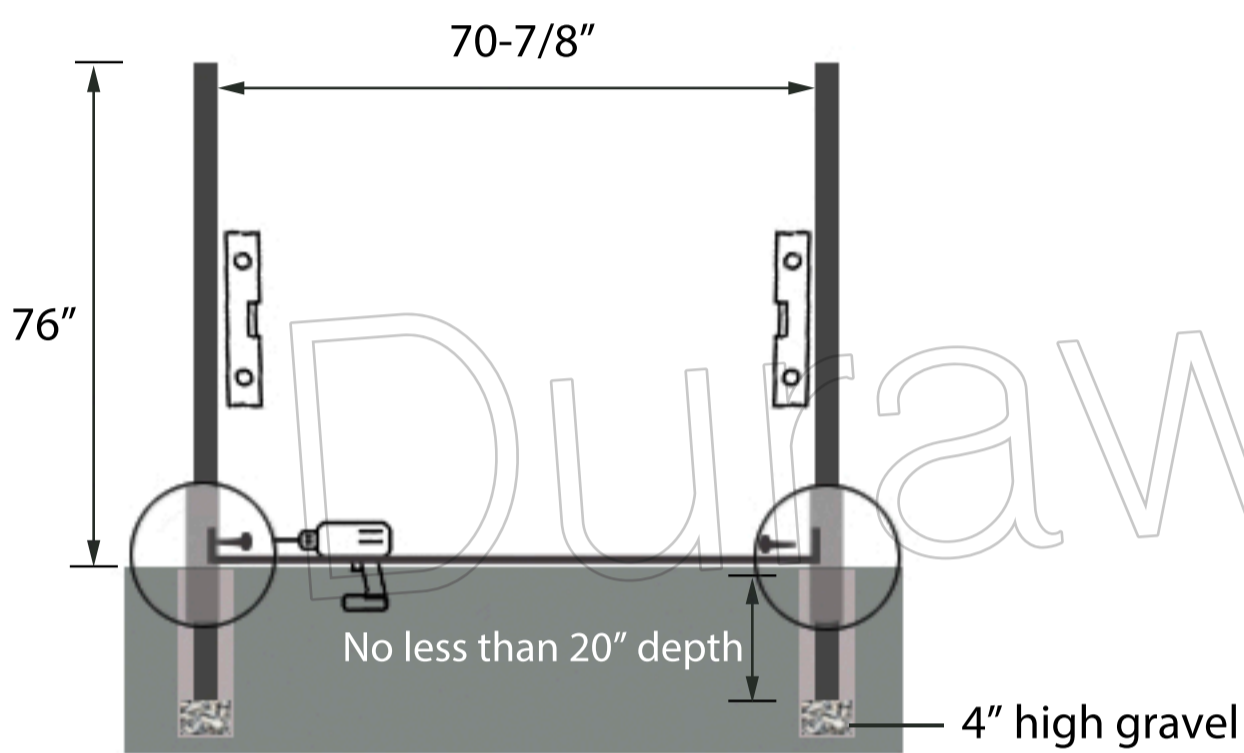
# INSTALLATION INSTRUCTION

## 6ft high fence install on the ground

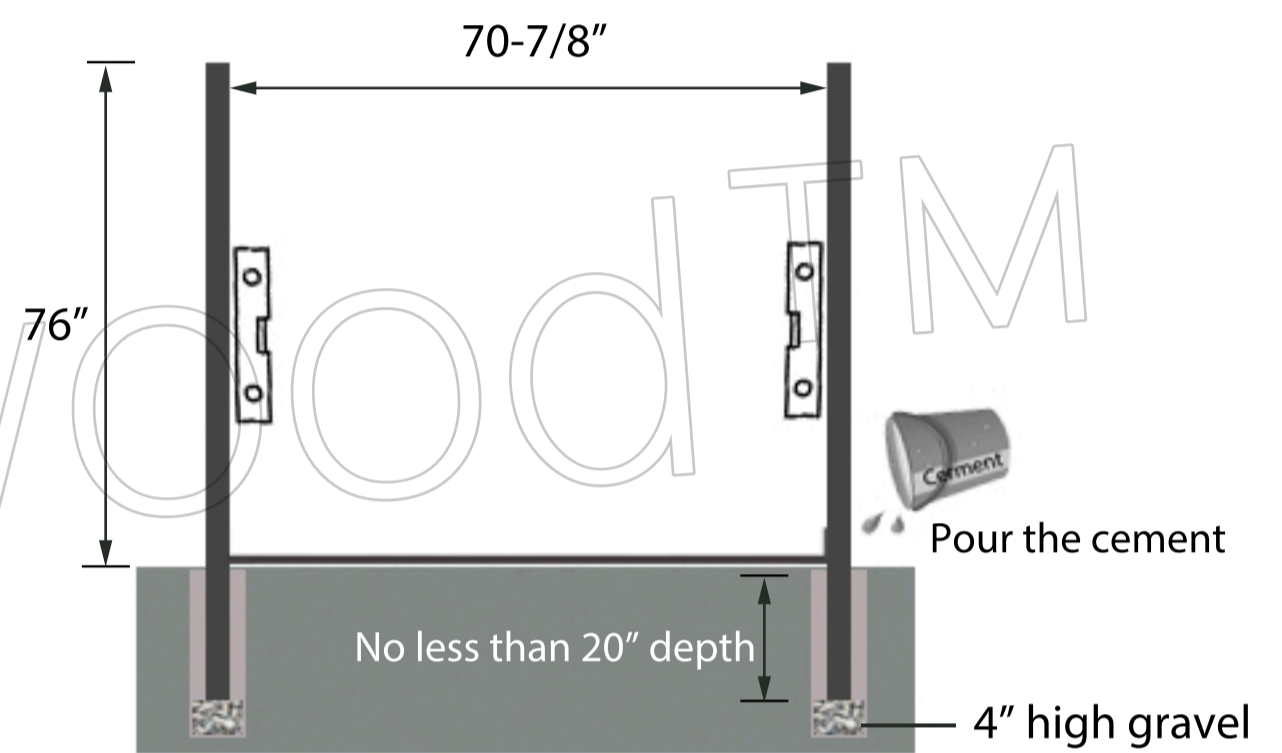


1, Dig a hole for post, 8" diameter 24" depth  
Fill 4" gravel into the hole  
Put the post on the gravel

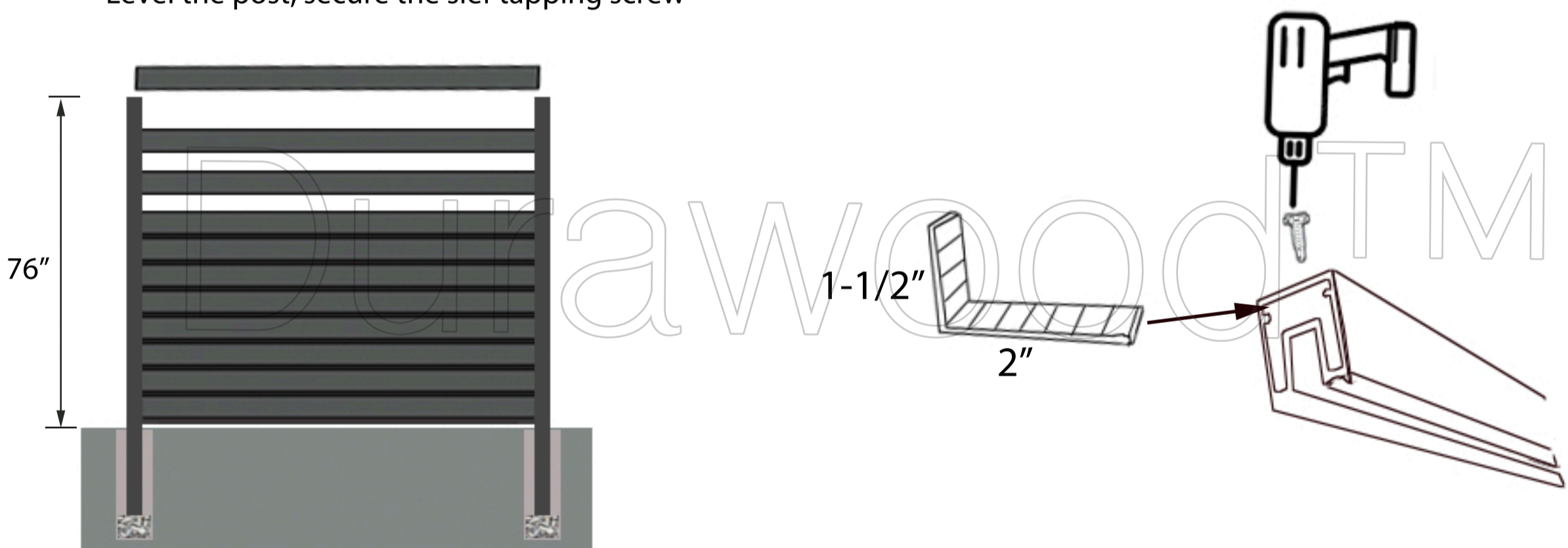
2, Insert the L shape bracket into the bottom rail channel  
Make sure insert the shorter side (1-1/2") into the channel  
Secure the self tapping screw  
Repeat same assemble on the other side of bottom rail



3, Insert the bottom rail into one post's channel  
Insert the bottom rail into the other post's channel  
Mark the location of the other post  
Dig a hole for the other post, 8" diameter 24" depth  
Fill 4" gravel into the hole  
Put the other post on the gravel  
Level the post, secure the self tapping screw

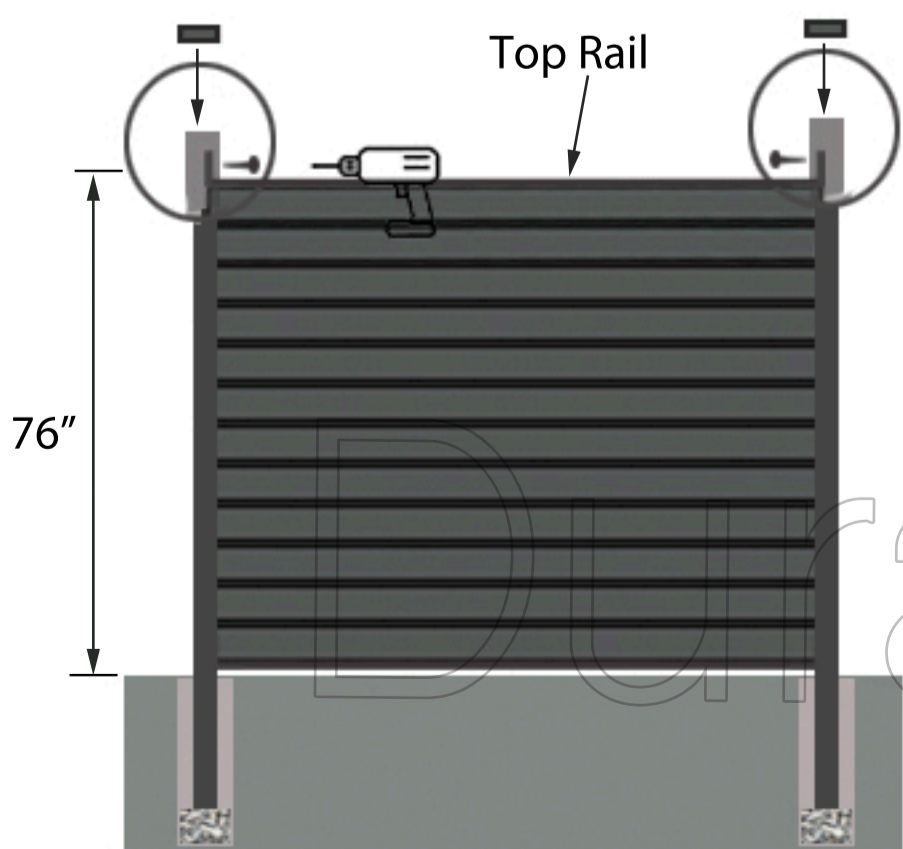


4, Pour the cement into the hole  
Double level the post  
Set aside until cement dry

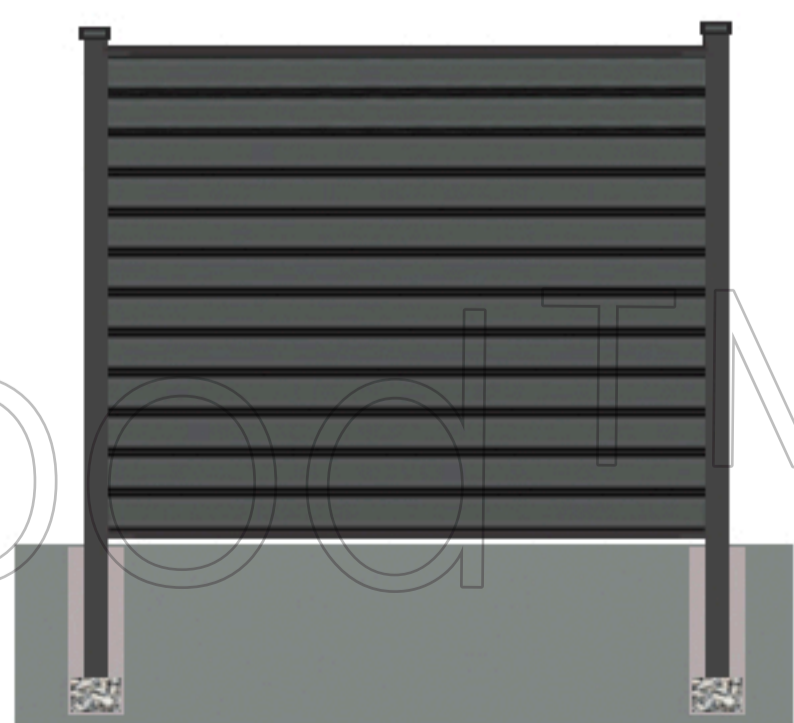


5, Stack the DuraWood™ composite fence board between the posts

6, Insert L shape bracket into top rail channel  
Make sure insert the longer side (2") into the channel  
Secure the self tapping screw  
Repeat same assemble on the other side of top rail



7, Insert top rail between two posts  
Secure the self tapping screw to post  
Put the caps on the top of post



8, Completed